

MS - MODULAR SURFACE

General

Quality low-profile surface mount luminaire only 4" deep with finished sides for clean decorative look. Hinged door with rotary cam latches for easy maintenance.

Ideal for commercial and institutional applications.

Suitable for continuous row mounting, upon request.

Housing & Finishing

Die-formed cold rolled steel finished in pre-painted high-gloss white.

Lens & Louver

Prismatic acrylic K-12 pattern is standard.

Other prismatic patterns, lenses, and louvers are available upon request.

Electrical

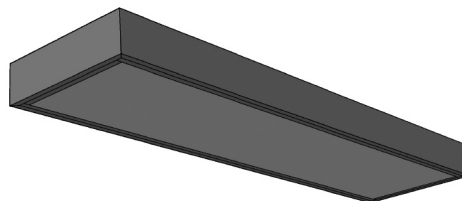
Available in electronic ballasts only.

Available voltages: 120V/277V/347V and UNV.

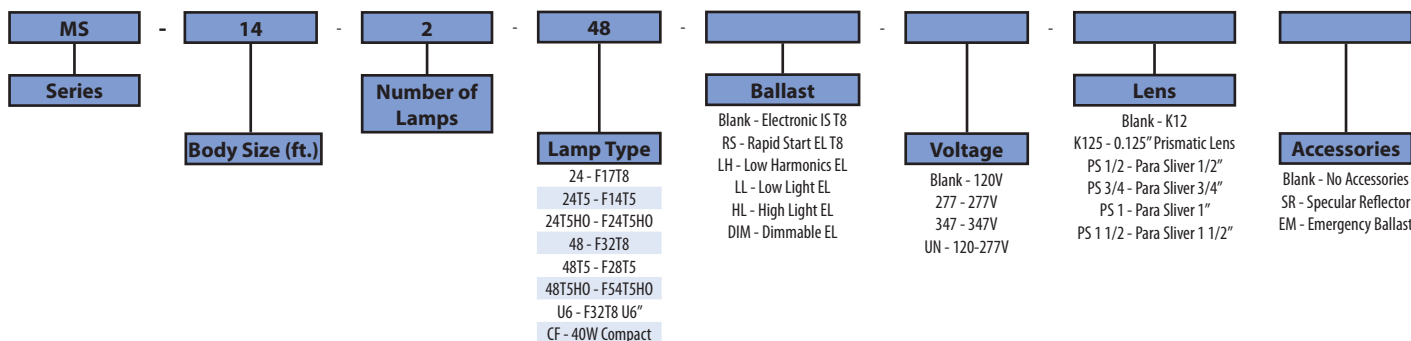
Approval

CSA certified.

Project		
Catalog #		
Volts		Lamp(s)
Ballast Type		
Type		Date
Approved by		

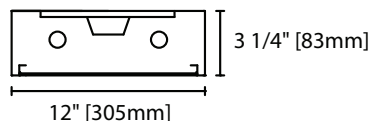


Ordering Information

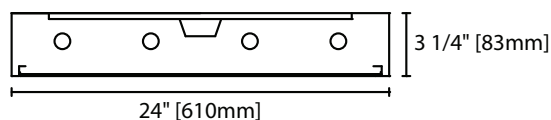


Product Availability

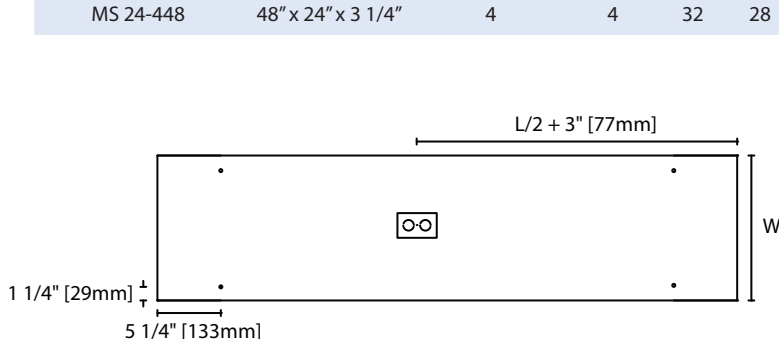
Item	Dimensions (L x W x D)	Lamps/ Cross Section	Lamps/ Fixture	Lamp Watt		
				T8	T5	T5HO
MS 12-224	24" x 12" x 3 1/4"	2	2	17	14	24
MS 14-248	48" x 12" x 3 1/4"	2	2	32	28	54
MS 22-2U6	24" x 24" x 3 1/4"	2	2	32		
MS 24-324	24" x 24" x 3 1/4"	3	3	17	14	24
MS 24-348	48" x 24" x 3 1/4"	3	3	32	28	54
MS 22-424	24" x 24" x 3 1/4"	4	4	17	14	24
MS 24-448	48" x 24" x 3 1/4"	4	4	32	28	54



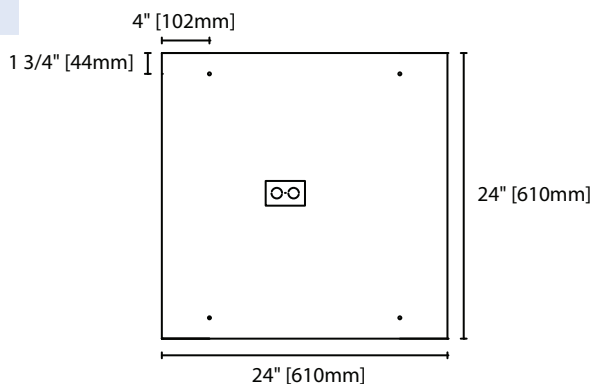
MS1 Cross Section View



MS2 Cross Section View



MS 4' Base View



MS 2' x 2' Base View