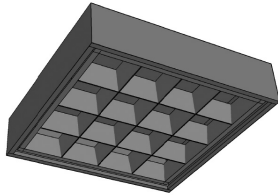


MSDC - MODULAR SURFACE DEEP CELL

Project			
Catalog #			
Volts		Lamp(s)	
Ballast Type			
Type		Date	
Approved by			



General

Quality low-profile surface mount luminaire only 5-1/2" deep with finished sides for clean decorative look. Hinged door with spring latches for easy maintenance.

Ideal for commercial and institutional applications.

Suitable for continuous row mounting, upon request.

Housing & Finishing

Die-formed cold rolled steel finished in pre-painted high-gloss white.

Louvers

Aluminium semi-specular louvers (3" nominal) are standard. Louvers enhance light distribution and provide better light output.

Optional air slots & custom metric sizes available on request.

Electrical

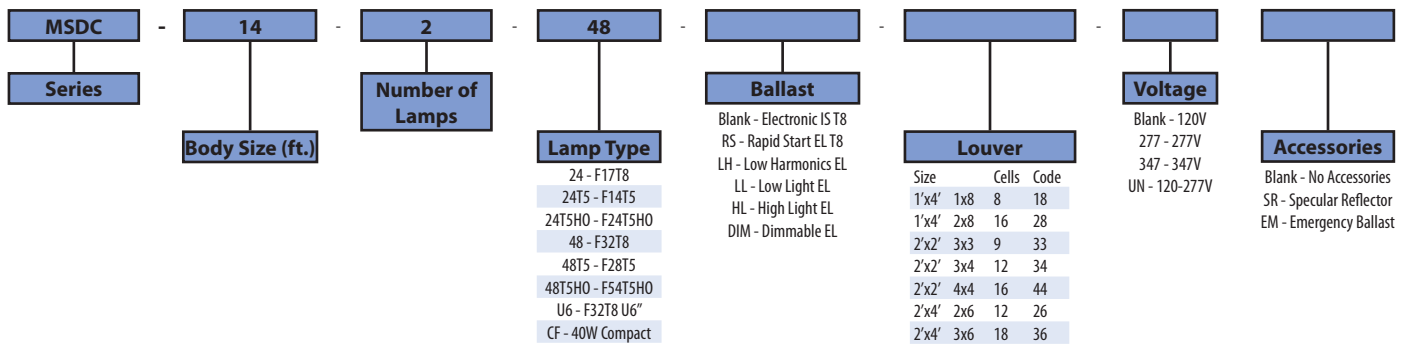
Available in electronic ballasts only.

Available voltages: 120V/277V/347V and UNV.

Approval

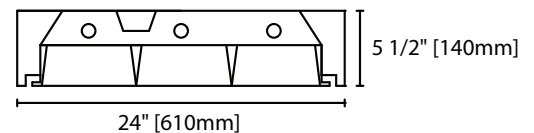
CSA certified.

Ordering Information

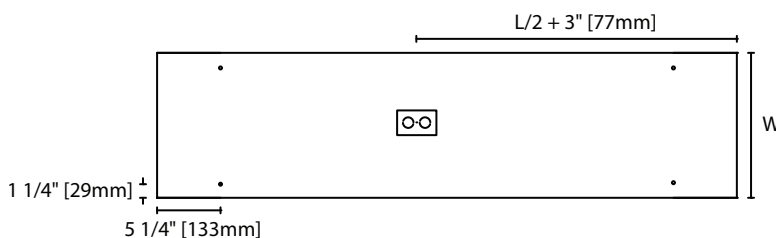


Product Availability

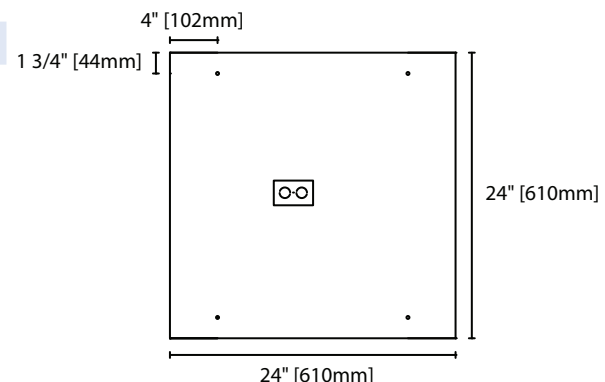
Item	Dimensions (L x W x D)	Lamps/ Cross Section	Lamps/ Fixture	Lamp Watt		
				T8	T5	T5HO
MSDC 14-248	48" x 12" x 5 1/2"	2	2	32	28	54
MSDC 22-2U6	24" x 24" x 5 1/2"	2	2	32		
MSDC 22-224	24" x 24" x 5 1/2"	2	2	17	14	24
MSDC 22-2CF	24" x 24" x 5 1/2"	2	2		40	
MSDC 22-3CF	24" x 24" x 5 1/2"	3	3		40	
MSDC 22-324	24" x 24" x 5 1/2"	3	3	17	14	24
MSDC 22-424	24" x 24" x 5 1/2"	4	4	17	14	24
MSDC 24-248	48" x 24" x 5 1/2"	2	2	32	28	54
MSDC 24-348	48" x 24" x 5 1/2"	3	3	32	28	54
MSDC 24-448	48" x 24" x 5 1/2"	4	4	32	28	54



MSDC 3 Cells Cross Section View



MSDC 4' Base View



MSDC 2' x 2' Base View